



WalterLorenz® Surgical Assist Arm

Total & Partial Knee Arthroplasty

Procedural Setup Guide



Table of Contents

- Introduction** 1

- Total Knee Arthroplasty** 2
 - Setup & Surgery Preparation 3
 - Common Retractors & Setup 4

- Partial Knee Arthroplasty (Fixed Bearing)** 6
 - Setup & Surgery Preparation 7
 - Common Retractors & Setup 8

- Partial Knee Arthroplasty (Mobile Bearing)** 10
 - Setup & Surgery Preparation 11
 - Common Retractors & Setup 12

- WalterLorenz Surgical Assist Arm Universal Instrument Tray Layout** 14

WalterLorenz Surgical Assist Arm

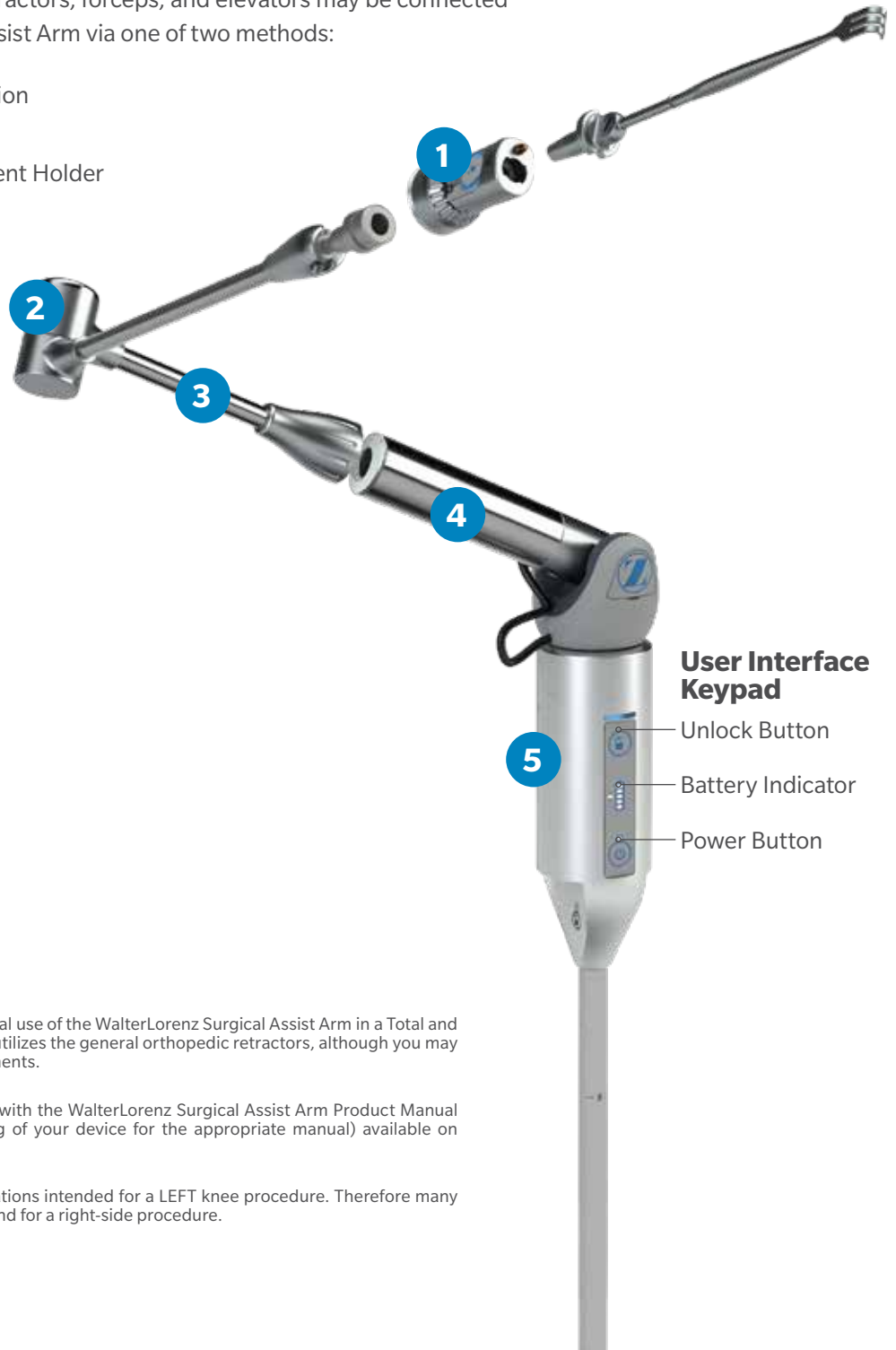
The WalterLorenz Surgical Assist Arm is a table-mounted, bionic electromechanical arm and is designed for controlled retraction and/or positioning of instruments. The device connects to any standard OR table rail and may be adjusted to multiple heights and positions depending on the procedure and set-up required. Once setup, Walter is easy to maneuver and position by depressing the activation button twice and holding to unlock the device, allowing it to move with 7 degrees of freedom.

Manual instruments such as retractors, forceps, and elevators may be connected to the WalterLorenz Surgical Assist Arm via one of two methods:

- (1) A proprietary direct connection to the End Effector or
- (2) utilizing a Universal Instrument Holder

WalterLorenz Surgical Assist Arm Anatomy

- 1** Wrist
- 2** Elbow
- 3** Distal Arm
- 4** Proximal Arm
- 5** Control Box with User Interface Keypad



This guide intends to instruct on the optimal use of the WalterLorenz Surgical Assist Arm in a Total and Partial Knee Arthroplasty. This technique utilizes the general orthopedic retractors, although you may easily substitute for your preferred instruments.

This guide should be used in conjunction with the WalterLorenz Surgical Assist Arm Product Manual (01-50-1645 or 01-50-1720, see packaging of your device for the appropriate manual) available on www.walterlorenzarm.com.

This guide shows instruments in configurations intended for a LEFT knee procedure. Therefore many configurations will need to be flipped around for a right-side procedure.



Total Knee

ARTHROPLASTY

Setup & Surgery Preparation

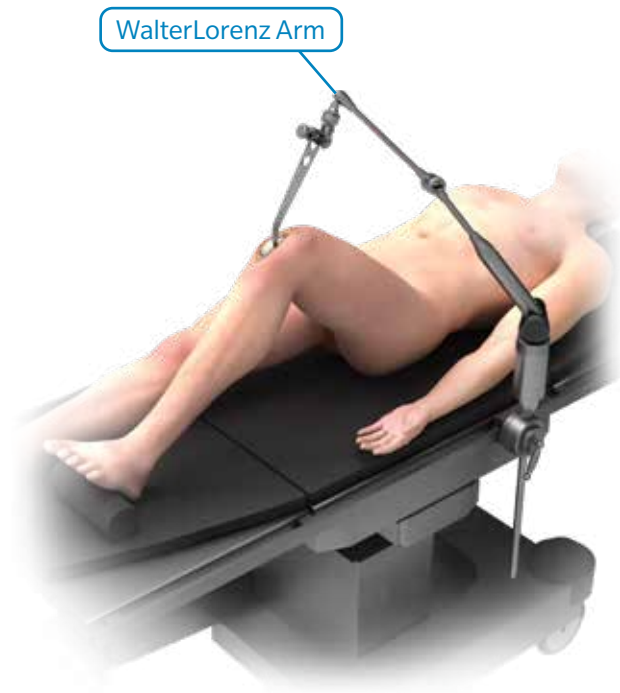


Figure 1

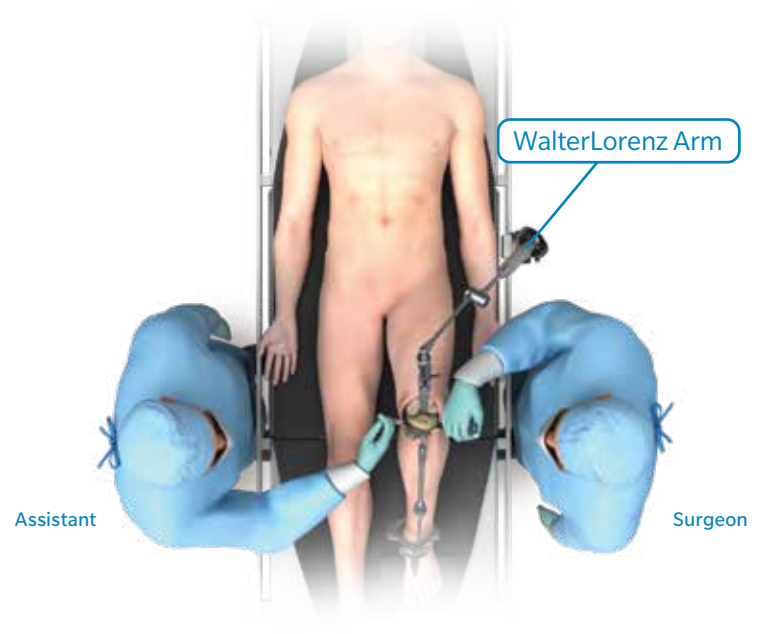


Figure 2

WalterLorenz Surgical Assist Arm Setup and Positioning:

Attach the WalterLorenz Arm clamp to the bed rail at the patient's iliac crest on the operative side. Orient the WalterLorenz Arm base pole perpendicular to the floor. Rotate the WalterLorenz Arm such that the button display faces the patient's head. Tighten the clamp to secure the positioning of the pole. Use the long distal arm, and position the arm across the patient's body. See figures 1 and 2.

- ⓘ **Note:** The positioning will vary based on the patient size and the surgeon's preference.
- ⓘ **Note:** For complete WalterLorenz Arm assembly and draping instructions, please see the WalterLorenz Surgical Assist Arm Product manual available on www.walterlorenzarm.com.

Common Retractors & Setup



Figure 3
Hohmann Retractor



Figure 4
PCL Retractor



Figure 5
Z Retractor

ⓘ **Note:** These are common retractors utilized in Total Knee Arthroplasty. The surgeon can interchange universal attachments and retractors as desired and needed throughout the procedure.

Common Retractors & Setup



Figure 6
Universal Forceps Holder Assembly

Before surgery begins, attach WalterLorenz Arm Universal attachments to retractors that will be used in the case.

Universal Forceps Holder Assembly (Figure 6)

1. Turn the large knob on the top of the holder counter-clockwise until the jaws are wider than the handle of the instrument
2. Slide the instrument into one of the grooves
3. Turn the knob clockwise to tighten the holder to the instrument handle

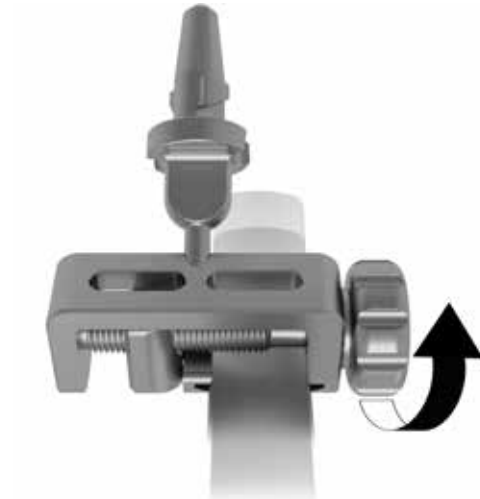


Figure 7
Flat Universal Instrument Holder Assembly

Flat Universal Instrument Holder Assembly (Figure 7)

1. Turn the knob on the holder counter-clockwise until the jaws are wider than the handle of the instrument
2. Slide the instrument into the opening of the jaws
3. Turn the knob clockwise to tighten the holder to the instrument handle

The background features a complex network of thin white lines connecting various-sized dark blue circular nodes. The nodes are scattered across the lower half of the page, creating a web-like structure that resembles a molecular or network diagram. The overall aesthetic is clean, modern, and technical.

Partial Knee ARTHROPLASTY

(Fixed Bearing)

Setup & Surgery Preparation

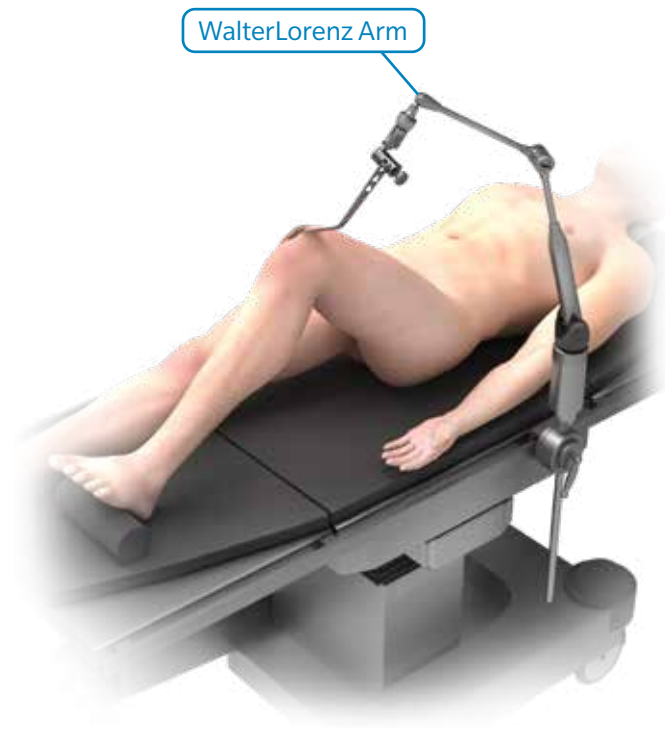


Figure 1

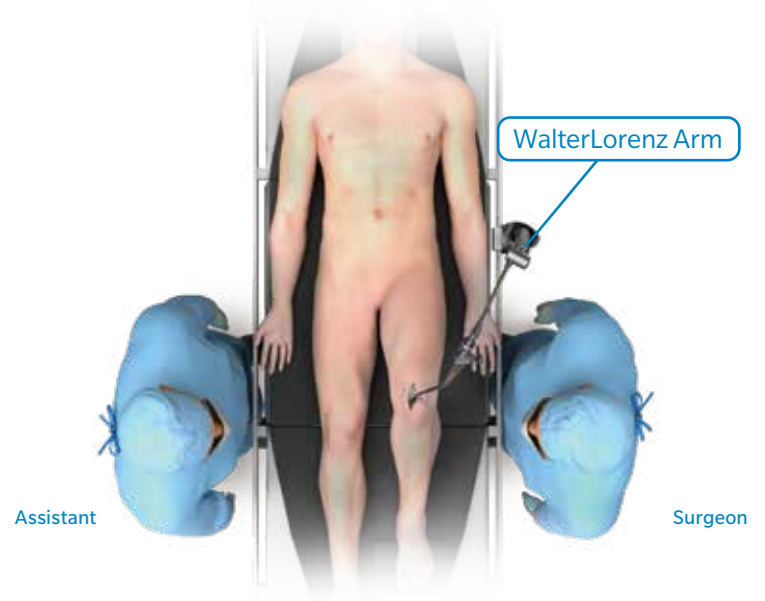


Figure 2

WalterLorenz Surgical Assist Arm Setup and Positioning:

Attach the WalterLorenz Arm clamp to the bed rail at the patient's iliac crest on the operative side. Orient the WalterLorenz base pole perpendicular to the floor. Rotate the WalterLorenz Arm such that the button display faces the patient's head. Tighten the clamp to secure the positioning of the pole. Use the long distal arm, and position the arm across the patient's body. See figures 1 and 2.

- ⓘ **Note:** For the WalterLorenz Arm assembly and draping instructions, please see the WalterLorenz Product manual available on www.walterlorenzarm.com
- ⓘ **Note:** The positioning of the WalterLorenz Arm will vary based on the patient size and the surgeon's preference.

Common Retractors & Setup



Figure 3
Hohmann Retractor



Figure 4
Z Retractor

ⓘ **Note:** These are common retractors utilized in Partial Knee Arthroplasty. The surgeon can interchange universal attachments and retractors as desired.

Common Retractors & Setup



Figure 5
Universal Forceps Holder Assembly

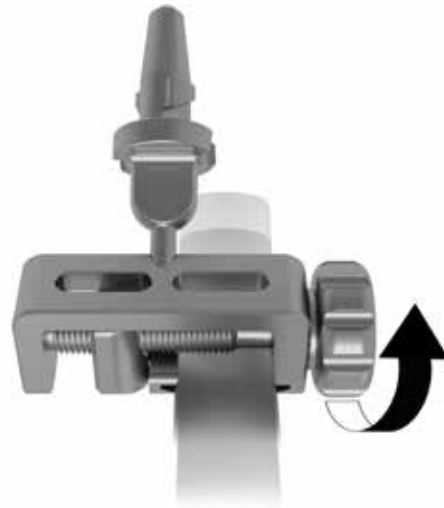


Figure 6
Flat Universal Instrument Holder Assembly

Before surgery begins, attach WalterLorenz Arm Universal attachments to retractors that will be used in the case.

Universal Forceps Holder Assembly (Figure 5)

1. Turn the large knob on the top of the holder counter-clockwise until the jaws are wider than the handle of the instrument
2. Slide the instrument into one of the grooves
3. Turn the knob clockwise to tighten the holder to the instrument handle

Flat Universal Instrument Holder Assembly (Figure 6)

1. Turn the knob on the holder counter-clockwise until the jaws are wider than the handle of the instrument
2. Slide the instrument into the opening of the jaws
3. Turn the knob clockwise to tighten the holder to the instrument handle

A network diagram consisting of dark blue circular nodes connected by thin, light blue lines. The nodes are scattered across the page, with a higher density in the lower-left and lower-right areas. The lines form a complex web of connections between the nodes.

Partial Knee ARTHROPLASTY

(Mobile Bearing)

Setup & Surgery Preparation

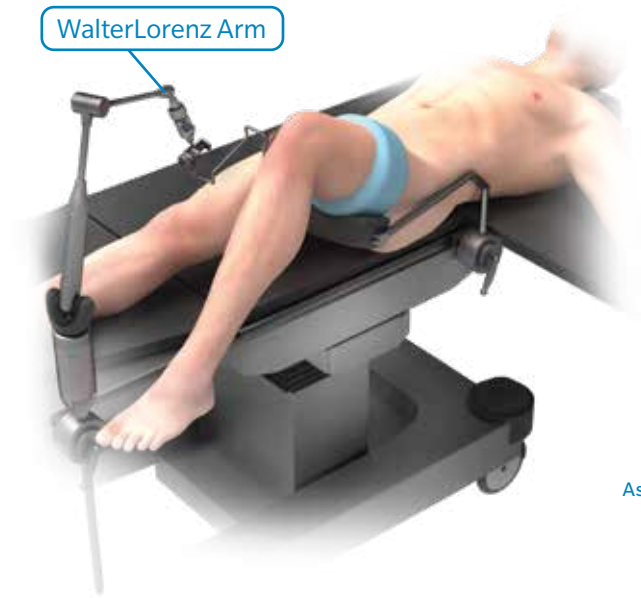


Figure 1

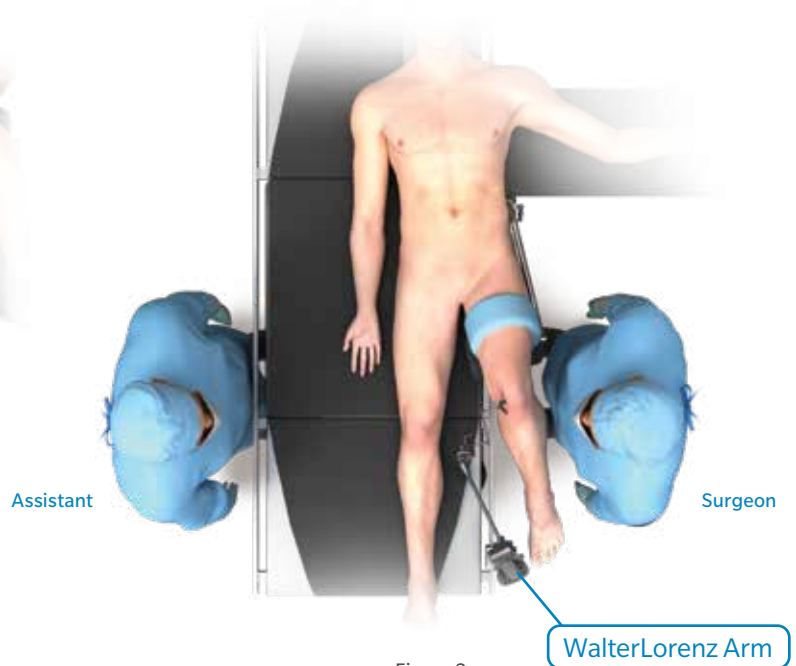


Figure 2

WalterLorenz Surgical Assist Arm Setup and Positioning:

Attach the WalterLorenz Arm clamp to the bed rail at the patient's lower leg on the operative side. Orient the WalterLorenz Arm base pole perpendicular to the floor. Rotate the WalterLorenz Arm such that the button display faces the patient's head. Tighten the clamp to secure the positioning of the pole. Use the long distal arm, and position the arm across the patient's body. See figures 1 and 2.

ⓘ **Note:** For the WalterLorenz Arm assembly and draping instructions, please see the WalterLorenz Arm product manual available on www.walterlorenzarm.com

ⓘ **Note:** The positioning will vary based on the patient size and the surgeon's preference.

Common Retractors & Setup



Figure 3
MCL Retractor



Figure 4
Hohmann Retractor

ⓘ **Note:** These are common retractors used in Partial Knee Arthroplasty. The surgeon can interchange universal attachments and retractors as desired.

Common Retractors & Setup (cont.)



Figure 5
Universal Forceps Holder Assembly

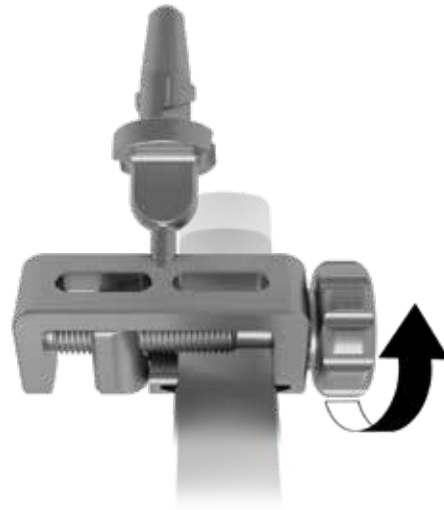


Figure 6
Flat Universal Instrument Holder Assembly

Before surgery begins, attach the WalterLorenz Arm Universal attachments to retractors that will be used in the case.

Universal Forceps Holder Assembly (Figure 5)

1. Turn the knob on the top of the holder counter-clockwise until the jaws are wider than the handle of the instrument
2. Slide the instrument into one of the grooves.
3. Turn the knob clockwise to tighten the holder to the instrument handle

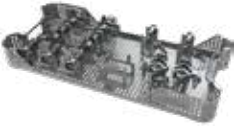








Flat Universal Instrument Holder Assembly (Figure 6)

1. Turn the knob on the holder counter-clockwise until the jaws are wider than the handle of the instrument.
2. Slide the instrument into the opening of the jaws.
3. Turn the knob clockwise to tighten the holder to the instrument handle.

ⓘ **Note:** This attachment works best for retractors with thick, round handle that are not compatible with other attachment styles.

WalterLorenz Surgical Assist Arm Universal Instrument Tray Layout



Product	Description	Part Number
	Universal Instrument Tray	WAL300
	*End Effector	WAL119
	*Forceps Universal Holder	WAL304
	Small Universal Holder	WAL302
	*Flat Universal Holder	WAL301
	Scope Holder	WAL315
	Large Inline Universal Holder	WAL317
	Large 90 Universal Holder	WAL316
	*Torque Relief Tool	WAL318

*These tools are commonly used in Total and Partial Knee Arthroplasty.

All content herein is protected by copyright, trademarks and other intellectual property rights, as applicable, owned by or licensed to Zimmer Biomet or its affiliates unless otherwise indicated, and must not be redistributed, duplicated or disclosed, in whole or in part, without the express written consent of Zimmer Biomet.

This material is intended for health care professionals. Distribution to any other recipient is prohibited. For indications, contraindications, warnings, precautions, potential adverse effects and patient counseling information, see the package insert or contact your local representative; visit www.zimmerbiomet.com for additional product information.

©2020 Zimmer Biomet



Legal Manufacturer
Biomet Microfixation
1520 Tradeport Drive
Jacksonville, FL 32218-2480

2931.1-GLBL-en-REV0520

www.zimmerbiomet.com